

# Secure Data Office

## for fire protection of data media

*Ever thought about what would happen if you had a fire and lost all of your computer data? Statistics show that more than 80% of all companies that lose their computer data are out of business in three months. The answer is to protect your valuable data media with the Secure Data Office.*

Styled specifically for office environments, the Secure Data Office is designed to offer 120 minutes of fire protection for your data media.



### Model

The Secure Data Office is available in four models. Each model is equipped with a fire insert to safely store data media. Additionally a 'Combi' model is available which combines the storage of paper documents and data media.

### Locking

The safes are equipped with an electronic security lock with LCD display as standard. In addition to the normal user code (4-16 digits), the lock provides a master code, log event and anti-spy function.

### Certification

The Secure Data Office range carries the 120 Diskette label according to NT Fire 017. This means that your data media is protected even after being subjected to a fire lasting two hours. Due to the insulated walls and special fire insert the internal temperature will not rise above 52°C. The Combi-version offers 120 Paper label and 60 Diskette label, both according NT Fire 017.

### Additional features

All safes are equipped with extensible drawers to store data media, such as CD/DVD's, backup tapes, etc. The insert itself is equipped with a high quality latch handle which offers easy opening of the inner compartment and a secure closure. The compartment latch and hinge are in chromium finish.

### Design

The Secure Data Office range will complement any user environment and is supplied in a modern light grey finish.

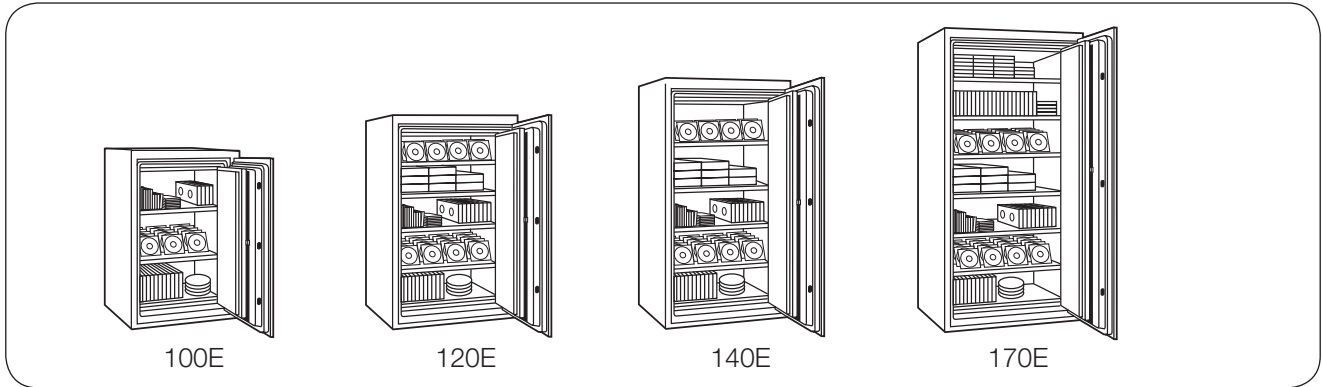


from **Chubb**safes  
Trusted the world over.



# Secure Data Office

## Models



SLGB.1024.R2

## Product data

### 120 Diskette

Model	Article No.	External dimensions (mm)			Internal dimensions (mm)			Volume (litres)	Weight (kg)	Shelf (qty)	CD/DVD (qty)	
		Height	Width	Depth	Height	Width	Depth				10 mm case	5 mm case
SDA-100E	SL04000	1000	600	535	645	315	200	41	251	4	66	132
SDA-120E	SL04001	1200	700	635	815	400	300	98	340	5	360	720
SDA-140E	SL04002	1400	700	635	1015	400	300	122	416	6	432	864
SDA-170E	SL04003	1700	800	635	1315	500	300	198	601	8	744	1488

### Combi – 120 Paper + 60 Diskette

Model	Article No.	External dimensions (mm)			Internal dimensions (mm)			Volume (litres)	Weight (kg)	Shelf (qty)	CD/DVD (qty)	
		Height	Width	Depth	Height	Width	Depth				10 mm case	5 mm case
SDC-120E	SL04050	1200	700	635	580*	400*	300*	60*	294	2*	N/A	N/A
					330**	210**	195**	13**			1**	40

\*120 Paper \*\*60 Diskette

SecureLine policy is one of constant improvement. The above specification may therefore be altered without prior notification.

[www.Secure-Line.net](http://www.Secure-Line.net)

Authorised dealer: