

# Document cabinet Sargasso



# Sargasso secures your documents

A fire starts without warning. It often destroys everything in its path, leaving nothing but ashes. Rosengrens Sargasso range of tested and certified cabinets will secure your important documents in the event of a fire. Make up your mind before it's too late.

## Tested Cabinets

Our cabinets are tested and certified in accordance to EN 1047-1 as well as VDMA 24991-1 S60/120P for protection against fire. Model 120 Comb has also an EN 1143-1 test, in grade I tested and certified by VdS for burglary protection.

## Four Models

The Sargasso range is available in four models, 178-840 litres. Model P177 is equipped with double doors. We devoted a lot of effort in making the cabinets ergonomic. The colour of the cabinets is off-white (RAL 9002).

## A Wide Range of Flexible Fittings

A wide range of flexible, ergonomic and functional fittings - from shelves, fixed or extensible with dividers, lockable compartments, datamedia inserts and filing frames - are available. The width of the cabinets enables an optimal storage for DIN binders. The datamedia inserts are tested and certified to VDMA 24991-1 to S60 DIS in model P70 and to 120 DIS in the other models. The insert provides fireproof storage for 280/500 pcs 3,5" floppy discs.

## The Ultimate Combination Cabinet

Fireproof storage for documents, fireproof storage for datamedia and secure storage for valuables in the same cabinet. This is the reality of what you can get with our Sargasso range, combining two or three levels of protection in one single cabinet. The combinations are tested and certified to the EN norm for fire and burglary.

## Locking Options

As a standard Rosengrens Sargasso range is fitted with a high security lock. The cabinets can, as an option, be equipped with electronic code locks. The cabinets are prepared for dual locking for extra security.

## Modern Production

The Sargasso range is manufactured in one of our high quality state of the art factories.

The factory are certified to ISO 9001 which guarantees the very best quality. This also requires regular inspections from outside certifying bodies, further ensuring you get the very best.

## The Environment


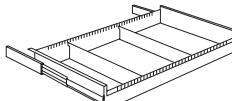
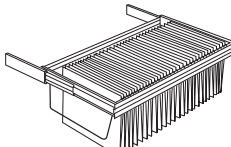

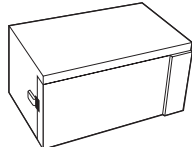
The entire production, from the choice of material through the manufacturing process is characterised by our environmental awareness.

*Rosengrens is Europe's leading manufacturer of security solutions. It is our responsibility to inform you how to protect your most valuable assets against fire, break-ins and theft. It is our job to provide the tailor-made solutions. We have been doing it for over 150 years, so we know our business.*

*Consult us when it comes to security, because Rosengrens is more than safe.*

Product data											
Model	Exterior dim. (mm)			Interior dim. (mm)			Tests	Weight kgs	Volume litres	Binders	
	H	W	D	H	W	D				A4	DIN A4
P 70	881	704	601	700	594	428	EN/VDMA <sup>1)</sup>	189	178	20	16
P 120	1403	890	664	1203	733	434	EN/VDMA <sup>2)</sup>	458	383	36	30
P 177	1970	1250	664	1770	1093	434	EN/VDMA <sup>2)</sup>	801	840	90	75
P 120 Comb.	1403	890	664	1203	733	434	EN/VDMA/EN <sup>3)</sup>	650	383	36	30

<sup>1)</sup> S 60P / EN 1047-1, <sup>2)</sup> S 120P / 1047-1, <sup>3)</sup> S 120P / 1047-1 / EN 1143-1 / VdS I

Interior fittings and accessories				
 Shelf P70: 30 x 591 x 410 P120, P120 Comb: 25 x 730 x 374 P177: 25 x 1090 x 374	 Extensible shelf with dividers* P120, P120 Comb: 100 x 1055 x 380 P177: 100 x 1055 x 380	 Filing frame* P120, P120 Comb: 100 x 711 x 421 P177: 100 x 1070 x 421	 Lockable compartment* <sup>(1)</sup> P120/P120 Comb: 361 x 727 x 395 P177(two doors): 361 x 1087 x 395	 Datamedia insert P70 Int. dim.: 221x281x170 P120/P120 Comb: 203x470x287 P177: 203 x 470 x 287

\* Not available for model P70, <sup>(1)</sup> two doors for model 177

All rights reserved for modifications