

Secure Business File

for fire protection of hanging files

Looking for a space saving fire proof vertical fire file? If so, Secure Business File is what you are looking for.

Many companies do not survive after a fire because they lose business-critical information. Our Secure Business File protects your vital documents, ledgers, records, etc. and is tested and certified to the world's leading test standard.

Models

The Secure Business File is available in two models; 22" or 25" version and with two or four drawers. Both models are designed to protect your A4 or folio size files and offer an effective storage capacity from 800 to almost 2000 mm. The smaller model has two drawers and is designed to fit underneath an office desk or function as extension to the desk. The larger model has four drawers and maximises storage capacity for documents.

Construction

The Business File range is constructed of the highest specification materials to ensure high quality at all times. Each drawer has an inner steel plate to cover the insulation material and functions also as additional burglary resistance. Galvanized steel is used in all areas, where insulation material is in direct contact with steel. Furthermore the Secure Business File range is equipped with high quality sliders providing a smooth opening and closure of the drawers, even when fully loaded. Drawer sides are full height which minimizes the horizontal sway.

Locking

The standard locking consists of a high quality cylinder key lock, positioned at the top drawer on the right hand side. This lock controls all drawers and is supplied with two keys.

Certification

All Secure Business Files offer 1 Hour fire protection which are tested and certified to UL72 Class 350.

Additional features

All drawers of the Secure Business Files are equipped with adjustable frames for optimised utilization. A4 and folio are either stored frontal or lateral. A provision for a card index on each drawer makes it easy to find your way through your stored documents.

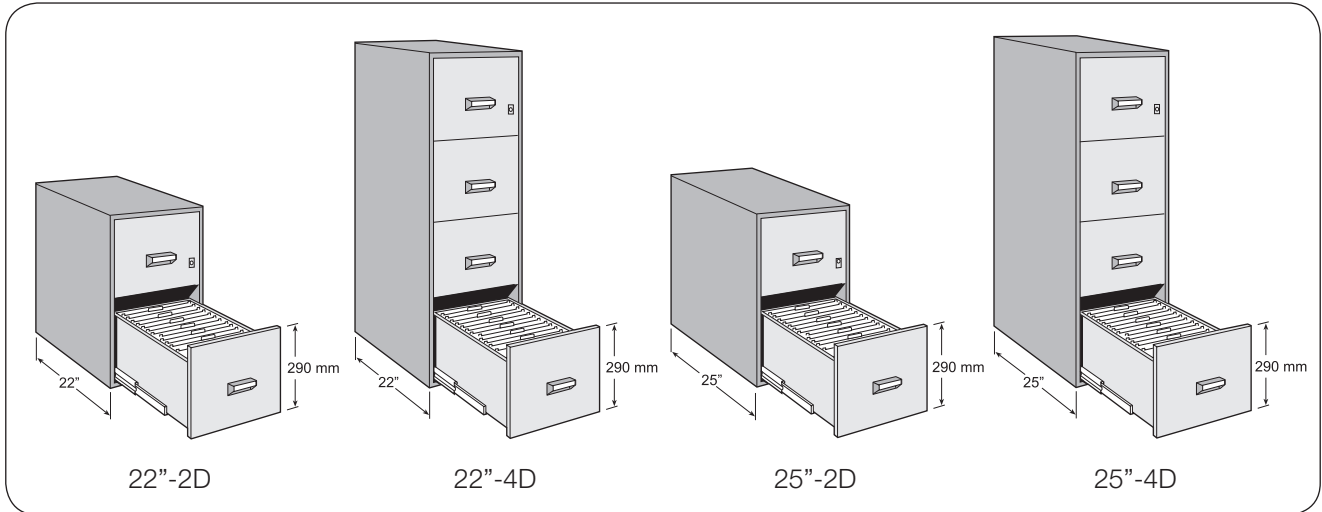
Design

The Secure Business File will complement any office environment and is painted in a two-tone finish of light grey and dark grey. The ergonomic designed handles are in light grey finish.



Secure Business File

Models



Product data

Mode	Article No.	External dimensions (mm)			Internal dimensions (mm)			Volume (litres)	Weight (kg)	Linear storage (mm)	Frontal		Lateral	
		Height	Width	Depth	Height	Width	Depth				A4	folio	A4	folio
22" version														
SB22"-2D	SL00800	725	450	570	290	325	400	75	118	800	✓	✓	✓	✓
SB22"-4D	SL00801	1400	450	570	290	325	400	150	206	1600	✓	✓	✓	✓
25" version														
SB25"-2D	SL00900	725	530	630	290	390	480	110	139	960	✓	✓	✓	✓
SB25"-4D	SL00901	1400	530	630	290	390	480	215	248	1920	✓	✓	✓	✓

SecureLine policy is one of constant improvement. The above specification may therefore be altered without prior notification.

www.Secure-Line.net

Authorised dealer:

