

Secure Safe Trend I

for protection of cash and valuables

Looking for a safe to store cash and valuables? Look no further

The Secure Safe Trend I is designed to protect cash and valuables from the threat of theft. Items recommended for storage include cash, jewellery, passports and laptops, to name a few. For at home or in any business environment, the Secure Safe Trend I range offers effective security at an affordable price.



Models

The Secure Safe Trend I is available in six models, all designed to hold cash and valuables. For storing binders we recommend model 44 in which the binders can be stored vertically.

Construction

The Trend I range is constructed with an 8 mm solid steel door and 3 mm steel body. Increased security is achieved by hardened steel plates which protect lock, bolt-work and bolts against drilling. The durable bolt-work has 2 or 4 bolts, which are chrome plated and have a diameter of 25 mm.

Locking

The safes are offered with a double bitted key lock or electronic PIN-code lock (6 digits) with a LCD-display. The electronic lock version is additionally equipped with a mechanical override in case emergency opening is necessary.

Additional features

The safes can be fixed to the floor or wall using the included fixing kit. In addition the safes are supplied with a removable shelf as standard (except model 18).

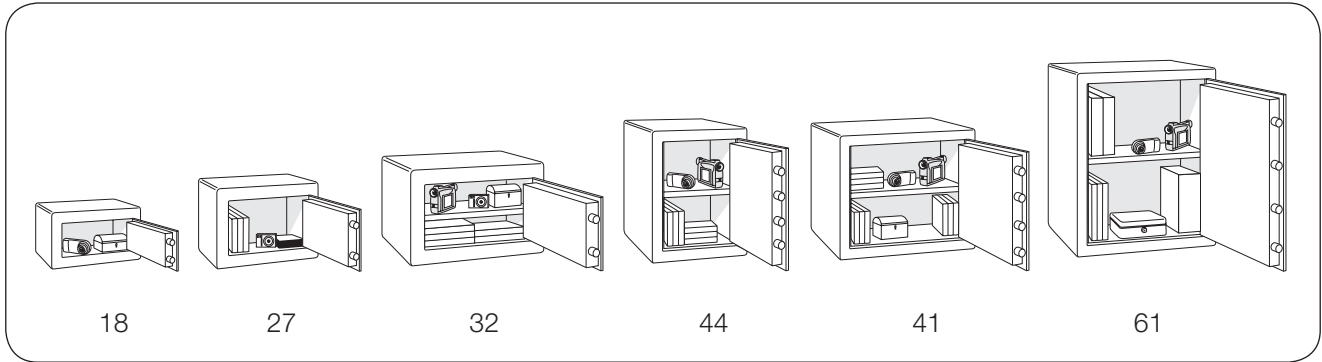
Design

The Trend range has modern styling and will complement any user environment. The safes are in two-tone colour powder coated finish; light grey and dark grey.



Secure Safe Trend I

Models



SLGB.1003.R3

Product data

Key lock

Model	Article No.	External dimensions (mm)			Internal dimensions (mm)			Volume (litres)	Weight (kg)	Shelf (qty)	Bolts (qty)
		Height	Width	Depth	Height	Width	Depth				
TI-18K	SL02400	180	310	205	170	300	150	8	12	–	2
TI-27K	SL02401	270	350	345	260	340	290	26	20	1	2
TI-32K	SL02402	320	440	395	310	430	340	46	32	1	2
TI-44K	SL02403	440	320	395	430	310	340	46	32	1	4
TI-41K	SL02404	410	460	395	400	450	340	62	39	1	4
TI-61K	SL02405	610	460	395	600	450	340	93	55	1	4

Electronic lock

Model	Article No.	External dimensions (mm)			Internal dimensions (mm)			Volume (litres)	Weight (kg)	Shelf (qty)	Bolts (qty)
		Height	Width	Depth	Height	Width	Depth				
TI-27E	SL02407	270	350	345	260	340	290	26	20	1	2
TI-32E	SL02408	320	440	395	310	430	340	46	32	1	2
TI-44E	SL02409	440	320	395	430	310	340	46	32	1	4
TI-41E	SL02410	410	460	395	400	450	340	62	39	1	4
TI-61E	SL02411	610	460	395	600	450	340	93	55	1	4

SecureLine policy is one of constant improvement. The above specification may therefore be altered without prior notification.

www.Secure-Line.net

Authorised dealer:



from **Chubb**safes